

4

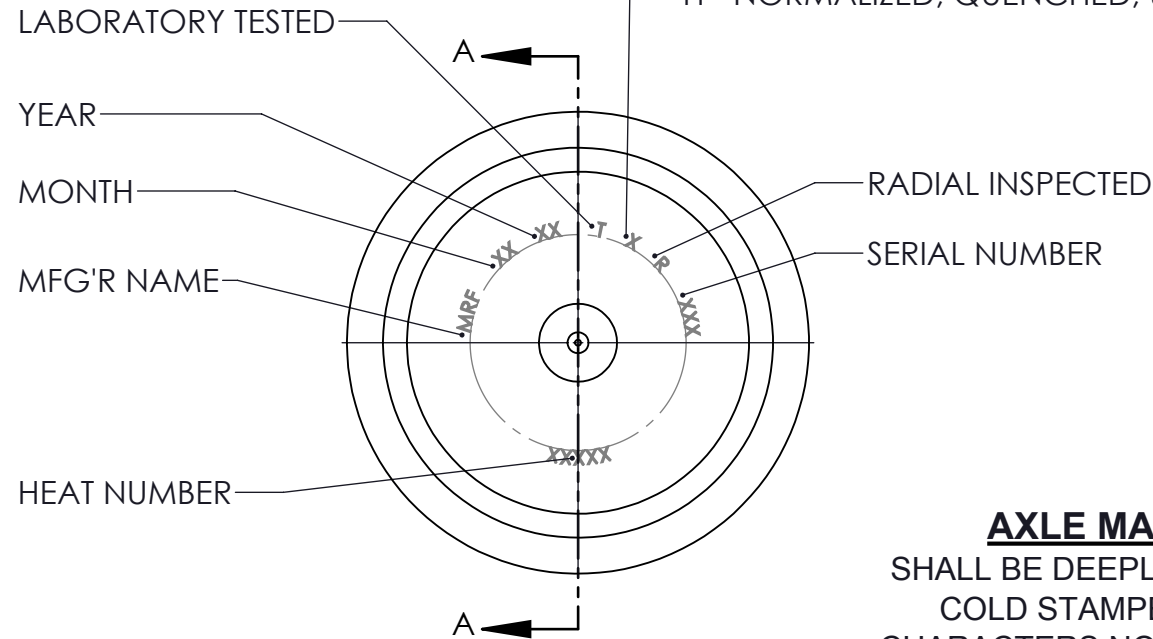
3

2

1

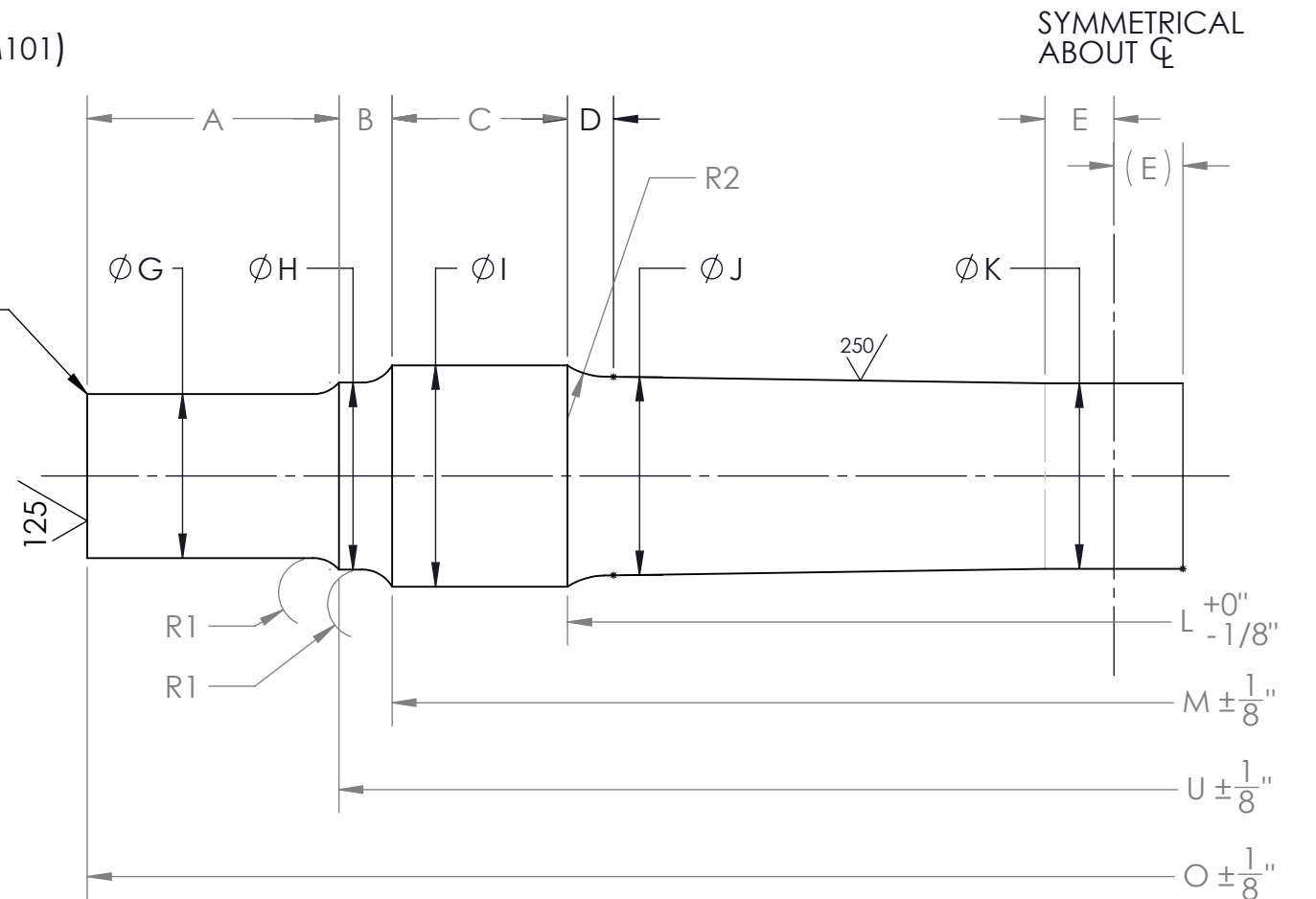
GRADE OF AXLE (ALL TREATED PER AAR SPEC. M101)

- F - DOUBLE NORMALIZED & TEMPERED
- G - QUENCHED & TEMPERED
- H - NORMALIZED, QUENCHED, & TEMPERED

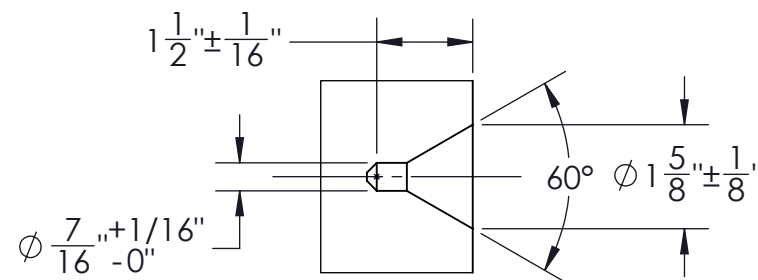


AXLE MARKINGS
 SHALL BE DEEPLY AND LEGIBLY
 COLD STAMPED WITH ALL
 CHARACTERS NO LESS THAN 1/4"
 HIGH. ALL ELEVATIONS OR
 IRREGULARITIES SHALL BE FILLED
 OR GROUND AFTER STAMPING.

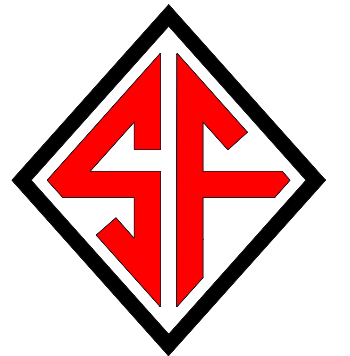
NOTE 1



SYMMETRICAL ABOUT \bar{C}



DETAILED SECTION A-A
AXLE CENTERING HOLE
TYPICAL DIMENSIONS
SCALE 1 : 3



NOTES:

1. BREAK ALL SHARP CORNERS
2. ALL DIMENSIONS ARE $\pm 1/16"$ UNLESS SPECIFIED
3. ALL RADIUS DIMENSIONS (R1,R2) ARE $+0,-1/16"$
4. AXLES CAN BE CUSTOM MACHINED TO CUSTOMER SPECIFICATIONS
5. ** 7 X 9 EXCLUSIVELY PROTECTED UNDER PATENT NO. US 6,189,456B1

ROUGH TURNED AXLE DIMENSIONS

CLASS	SIZE OF JOURNAL	ROUGH TURNED AXLE DIMENSIONS															
		A	B	C	D	E	G	H	I	J	K	L	M	U	O	R1	R2
E	6 X 11	10.813	1.813	7.625	2.000	3.000	5.813	7.125	8.375	7.375	6.500	47.500	62.750	66.375	88.000	1.500	3.000
F	6 1/2 X 12	11.625	1.813	7.625	2.000	3.000	6.375	7.688	8.875	7.938	7.438	47.500	66.375	66.375	98.625	1.500	3.000
G	7 X 12	10.938	2.313	7.625	2.000	3.000	7.125	8.125	9.625	8.625	8.063	47.500	66.375	66.375	89.250	1.500	3.000
L	6 X 8	8.094	3.281	7.625	2.000	3.000	5.813	7.156	8.375	7.313	6.437	47.500	62.750	69.336	85.500	1.500	3.000
K	6 1/2 X 9	8.813	3.375	7.625	2.000	3.000	6.375	7.688	8.875	7.938	7.438	47.500	62.750	69.669	87.156	1.500	3.000
M	**7 X 9	8.875	3.500	7.625	2.000	3.000	6.625	7.656	9.625	8.563	8.000	47.500	62.750	69.750	87.500	1.500	3.000

UNLESS OTHERWISE SPECIFIED:
 ALL DIMENSIONS ARE IN INCHES
 MATERIAL **AAR-M-101**
 (LATEST REVISION)
 FINISH

DO NOT SCALE DRAWING
PROPRIETARY AND CONFIDENTIAL
 THE INFORMATION CONTAINED IN
 THIS DRAWING IS THE SOLE
 PROPERTY OF STANDARD FORGED
 PRODUCTS LLC. ANY
 REPRODUCTION IN PART OR AS A
 WHOLE WITHOUT THE WRITTEN
 PERMISSION OF STANDARD FORGED
 PRODUCTS LLC IS PROHIBITED.

NAME	DATE	AXLE DESCRIPTION:
ZRH	10/26/18	RAISED WHEEL SEAT ROLLER BEARING AXLE
TITLE:		
STANDARD FORGED PRODUCTS LLC		
Mckees Rocks, PA		
SIZE	DWG. NO.	REV
B	STANDARD ROUGH TURNED AXLES	
SCALE: 1:5		SHEET 1 OF 1

COMMENTS:

4

3

2

1

B

B

A

A